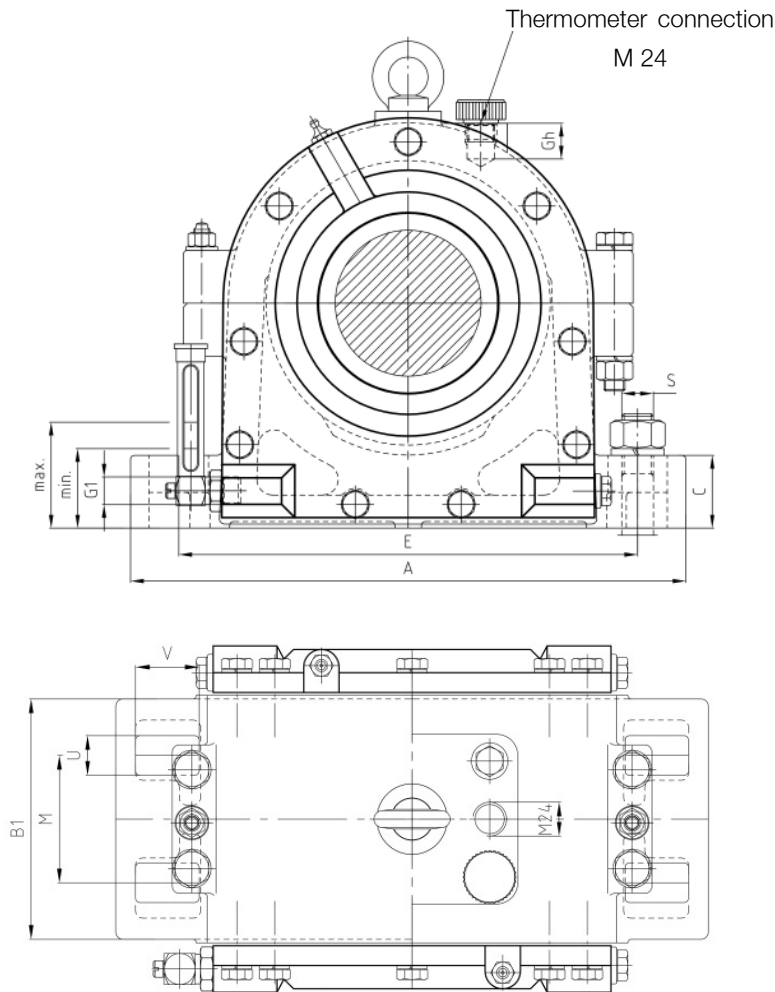
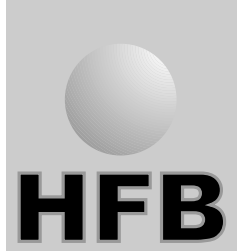


Plummer Block Housings (split)

Series GOS 5

with oil splash ring lubrication for spherical roller bearings with adapter sleeve

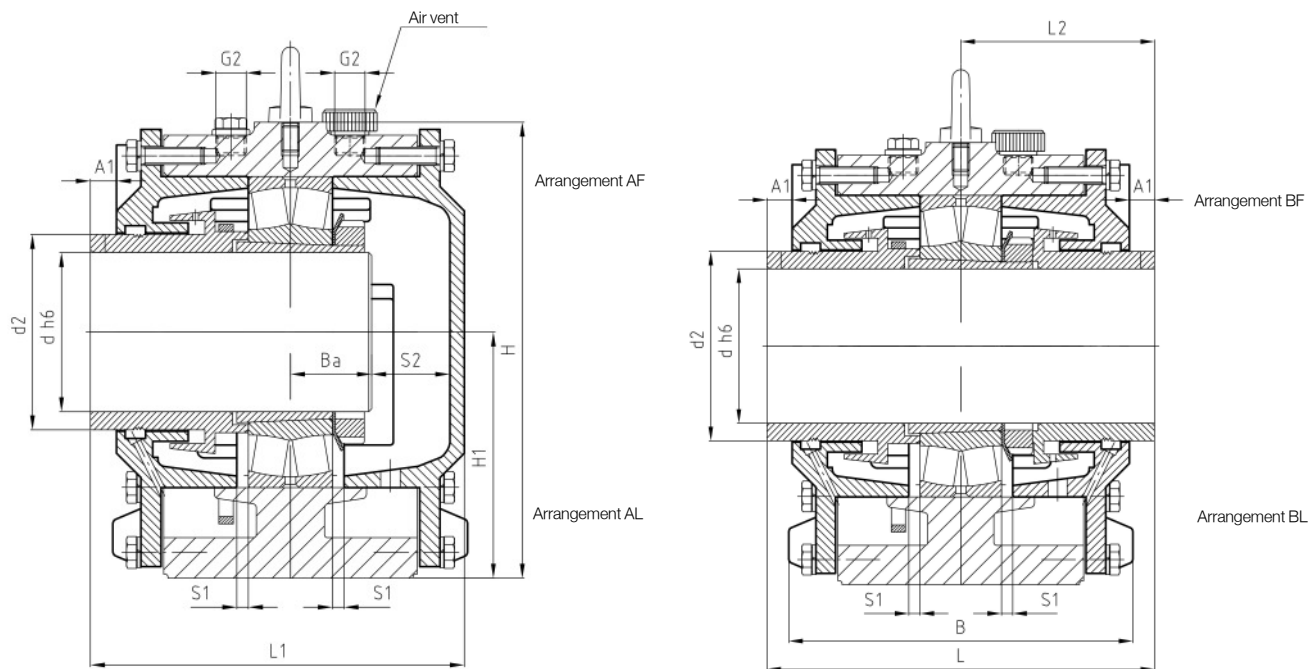


Housing		Ref No	Shaft d	d ₂	H ₁	H	A	E	C	S	S ₁	V	U	M	B ₁	B	L	L ₁	L ₂	A ₁	G ₁	G ₂	G _h
		mm																					
GOS 517	75	96	125	230	330	260	35	M20	5	40	24	60	110	182	180	172,5	90,0	7,5	R ¹ / ₂	R ³ / ₈	27		
GOS 518	80	100	135	245	360	290	45	M20	5	40	24	70	120	190	190	180,0	95,0	10,0	R ¹ / ₂	R ³ / ₈	27		
GOS 519	85	105	140	255	360	290	40	M20	5	40	24	80	135	210	200	192,0	100,0	8,0	R ¹ / ₂	R ³ / ₈	27		
GOS 520	90	110	145	270	400	320	50	M24	5	45	28	75	130	205	206	196,0	103,0	10,0	R ¹ / ₂	R ¹ / ₂	27		
GOS 522	100	120	160	290	420	347	50	M24	5	45	28	75	145	216	229	216,0	114,5	13,0	R ¹ / ₂	R ¹ / ₂	27		
GOS 524	110	135	170	315	420	347	55	M24	8	45	28	90	170	245	276	258,0	138,0	18,0	R ¹ / ₂	R ¹ / ₂	27		
GOS 526	115	145	180	335	450	377	60	M24	8	45	28	100	180	260	270	255,0	135,0	15,0	R ¹ / ₂	R ¹ / ₂	32		
GOS 528	125	160	190	355	500	415	65	M30	8	45	35	100	190	265	280	265,0	140,0	15,0	R ¹ / ₂	R ³ / ₄	33		
GOS 530	135	170	200	375	540	450	65	M30	8	50	35	115	190	265	280	265,0	140,0	15,0	R ¹ / ₂	R ³ / ₄	44		
GOS 532	140	178	215	405	560	470	65	M30	10	50	35	120	205	280	316	298,0	158,0	18,0	R ¹ / ₂	R ³ / ₄	38		
GOS 534	150	195	235	440	610	515	70	M30	10	55	35	130	230	310	350	330,0	175,0	20,0	R ¹ / ₂	R ³ / ₄	46		
GOS 536	160	205	245	455	650	545	75	M30	10	65	35	150	240	320	360	340,0	180,0	20,0	R ¹ / ₂	R ³ / ₄	44		
GOS 538	170	220	260	480	720	590	85	M36	12	70	42	150	250	335	370	350,0	185,0	20,0	R ¹ / ₂	R ³ / ₄	50		
GOS 540	180	227	275	510	730	600	85	M36	12	70	42	160	260	350	378	35,08	189,0	20,0	R ¹ / ₂	R ³ / ₄	44		
GOS 544	200	255	305	565	820	670	95	M36	12	80	42	180	280	370	404	384,5	202,0	19,5	R ¹ / ₂	R ³ / ₄	48		
GOS 548	220	270	340	625	900	740	100	M36	12	80	42	190	290	380	420	400,0	210,0	20,0	R ¹ / ₂	R ³ / ₄	56		

Plummer Block Housings (split)

Series GOS 5

with oil splash ring lubrication for spherical roller bearings with adapter sleeve



Bearing Ref	B _a mm	S ₂	Oil Volume Liter	Oil level		Matching adapter sleeve	Weight Arrangement	
				max. mm	min mm		A kg	B
22217 K	40	34,5	0,7	63	42	H 317	33	34
22218 K	42	35,0	0,8	68	45	H 318	38	39
22219 K	44	38,0	0,9	70	50	H 319	40	42
22220 K	46	37,0	1,0	70	50	H 320	45	47
22222 K	52	36,5	1,3	77	50	H 322	56	59
22224 K	56	54,0	1,7	80	60	H 3124	71	75
22226 K	58	52,0	2,3	85	60	H 3126	88	94
22228 K	63	51,0	2,4	85	60	H 3128	113	119
22230 K	66	49,0	2,8	90	60	H 3130	131	137
22232 K	73	55,0	3,3	95	65	H 3132	159	166
22234 K	77	65,0	5,0	105	75	H 3134	198	208
22236 K	78	70,0	5,2	115	80	H 3136	215	225
22238 K	82	68,0	5,8	120	85	H 3138	244	255
22240 K	86	69,0	7,0	125	85	H 3140	286	303
22244 K	95	72,0	8,5	140	95	H 3144	385	403
22248 K	105	70,0	9,5	155	110	H 3148	455	490